

RESOLUTION 2017-25

PURCHASE OF EQUIPMENT FOR CITY OF MARIETTA

WHEREAS, the purchase of equipment, materials and supplies is necessary to perform the duties relative to the functions lawfully imposed upon or assumed by the City of Marietta;

WHEREAS, the following equipment is needed to allow for the performance of the above described duties/functions: 27 YARD DUAL-PURPOSE SAN. COLLECTION TRUCK ;

WHEREAS, in accordance with Section 2-172 of the Code of Ordinances, the following competitive bids for the purchase were submitted:

<u>2018 FREIGHTLINER / SEC CHAMPION</u>	<u>SOUTHWESTERN EQUIP. CO.</u>	<u>\$188,400.00</u>
<u>2018 FREIGHTLINER / SPRINTER</u>	<u>J&R EQUIPMENT LLC</u>	<u>\$230,069.00</u>

WHEREAS, staff recommend the purchase of equipment as submitted by SOUTHWESTERN EQUIP. CO., JUSTIN, TEXAS , based upon the following justification: LOWEST BID / CURRENTLY USE SEC EQUIPMENT WITH GOOD RESULTS ;

WHEREAS, funding is available to provide for this expenditure within the budget of the current fiscal year, under the following department/account: SANITATION - CAPITAL OUTLAY WITH LEASE-PURCHASE AGREEMENT WITH BANKFIRST;

NOW, THEREFORE, BE IT RESOLVED by the City Council of the City of Marietta:

1. The purchase of 2018 FREIGHTLINER WITH SEC CHAMPION BODY as submitted by SOUTHWESTERN EQUIPMENT CO., JUSTIN, TX is hereby approved and authorized based on:

the recommendation of staff as previously indicated.

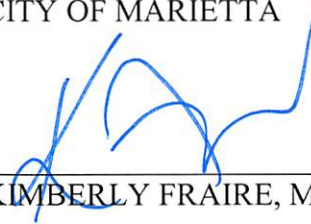
the following: _____

2. The expenditure for the purchase will be deducted from the following department/account:

SANITATION-CAPITAL OUTLAY THROUGH FIVE-YEAR LEASE PURCHASE AGREEMENT WITH BANCFIRST; MAYOR, COUNCIL PRESIDENT AND CITY ADMINISTRATOR ARE HEREBY AUTHORIZED TO SIGN DOCUMENTS NECESSARY TO FACILITATE PURCHASE..

PASSED BY THE CITY COUNCIL and signed by the Mayor this 14TH day of NOVEMBER, 2017.

CITY OF MARIETTA


KIMBERLY FRAIRE, MAYOR



ATTEST

Dottie Gwin
DOTTIE GWIN, CITY CLERK



SOUTHWESTERN EQUIPMENT COMPANY

P.O. Drawer 219
Hwy. 156 N. & F.M. 1384
Justin, TX 76247-0219

Local: (940) 242-2700
National: (800) 886-7932
Fax: (940) 242-2200

www.SouthwesternTrucks.com

City of Marietta
101 West Main Street
Marietta, OK 73448
Mike Burton admin@cityofmarietta.net
580-276-7045

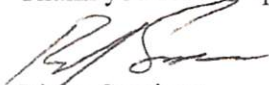
October 6 2017

Price Quote for SEC Champion and Freightliner M-2

SEC Champion Right Hand 27 Yard

Champion 27 Right Hand Body	78,500.00
Top Door	
Packer Lock-Out	150.00
PTO Mount pump	
Pak-Mor Lift Bar	
48" Reach	
96 gal Cart Grabber	8000.00
3 Work Lights	
Strobe Light	
Led Lights	500.00
4 LED Smart Strobe Lights on Rear	900.00
3 Camera System (Rear, Lift Side and Left Side)	1,500.00
2 Strobe Lights on Front of Body	450.00
6 Mos Warranty	
Mounted and Painted White	
Delivered 45-90 Working Days after receiving Chassis	
Delivered	500.00
<hr/>	
Body Total	\$ 90,500.00
2018 Freightliner M-2 Right single (Premier Truck Group of Ardmore, OK)	\$ 97,900.00
(Chassis delivered to Justin, TX 90-120 days after order)	
<hr/>	
Total	\$ 188,400.00

Thank you for the opportunity to quote this.


Ricky Sessions
Southwestern Equipment Co.
800-886-7932 office
940-206-1795 cell

APPROVED
RES # 2017-25
Dx BJA
11/15/17

S P E C I F I C A T I O N P R O P O S A L

Data Code	Description	Weight Front	Weight Rear	Retail Price
Price Level				
PRL-14M	M2 PRL-14M (EFF:10/05/15)			N/C
Data Version				
DRL-022	SPECPRO21 DATA RELEASE VER 022			N/C
Interior Convenience/Driver Retention Package				
055-998	NO INTERIOR CONVENIENCE PACKAGE			STD
Vehicle Configuration				
001-172	M2 106 CONVENTIONAL CHASSIS	5,759	3,503	\$98,616.00
004-218	2018 MODEL YEAR SPECIFIED			STD
002-004	SET BACK AXLE - TRUCK			STD
019-002	STRAIGHT TRUCK PROVISION			STD
003-001	LH PRIMARY STEERING LOCATION			STD
General Service				
AA1-002	TRUCK CONFIGURATION			STD
AA6-002	DOMICILED, USA (EXCLUDING CALIFORNIA AND CARB OPT-IN STATES)			STD
A85-001	REFUSE SERVICE			N/C
A84-1GM	GOVERNMENT BUSINESS SEGMENT			N/C
AA4-013	MOIST BULK COMMODITY			N/C
AA5-002	TERRAIN/DUTY: 100% (ALL) OF THE TIME, IN TRANSIT, IS SPENT ON PAVED ROADS			STD
AB1-008	MAXIMUM 8% EXPECTED GRADE			STD
AB5-001	SMOOTH CONCRETE OR ASPHALT PAVEMENT - MOST SEVERE IN-TRANSIT (BETWEEN SITES) ROAD SURFACE			STD
995-091	MEDIUM TRUCK WARRANTY			STD
A66-99D	EXPECTED FRONT AXLE(S) LOAD : 16000.0 lbs			
A68-99D	EXPECTED REAR DRIVE AXLE(S) LOAD : 30000.0 lbs			

Data Code	Description	Weight Front	Weight Rear	Retail Price
A63-99D	EXPECTED GROSS VEHICLE WEIGHT CAPACITY : 46000.0 lbs			
Truck Service				
AA3-061	REFUSE, SIDE LOAD OR REAR PACKER BODY - UNLOADS IN A LANDFILL			N/C
AF3-2GX	SOUTHWESTERN EQUIPMENT CO.			N/C
AF7-99D	EXPECTED BODY/PAYLOAD CG HEIGHT ABOVE FRAME "XX" INCHES : 32.0 in			
Engine				
101-22R	CUM L9 330 HP @ 2000 RPM, 2200 GOV RPM, 1000 LB/FT @ 1400 RPM	640	30	\$13,982.00
Electronic Parameters				
79A-075	75 MPH ROAD SPEED LIMIT			N/C
79B-000	CRUISE CONTROL SPEED LIMIT SAME AS ROAD SPEED LIMIT			N/C
79M-001	PTO MODE BRAKE OVERRIDE - SERVICE BRAKE APPLIED			N/C
79P-002	PTO RPM WITH CRUISE SET SWITCH - 700 RPM			N/C
79Q-003	PTO RPM WITH CRUISE RESUME SWITCH - 800 RPM			N/C
79S-001	PTO MODE CANCEL VEHICLE SPEED - 5 MPH			N/C
79U-007	PTO GOVERNOR RAMP RATE - 250 RPM PER SECOND			N/C
80G-002	PTO MINIMUM RPM - 700			N/C
80J-002	REGEN INHIBIT SPEED THRESHOLD - 5 MPH			N/C
Engine Equipment				
99C-017	2016 ONBOARD DIAGNOSTICS/2010 EPA/CARB/FINAL GHG17 CONFIGURATION			STD
99D-011	2008 CARB EMISSION CERTIFICATION - CLEAN IDLE (INCLUDES 6X4 INCH LABEL ON LOWER FORWARD CORNER OF DRIVER DOOR)			\$106.00
13E-001	STANDARD OIL PAN			STD
105-001	ENGINE MOUNTED OIL CHECK AND FILL			STD
133-004	ONE PIECE VALVE COVER			STD
014-1BX	SIDE OF HOOD AIR INTAKE WITH NFPA COMPLIANT EMBER SCREEN AND FIRE RETARDANT DONALDSON AIR CLEANER			\$105.00
124-1D7	DR 12V 160 AMP 28-SI QUADRAMOUNT PAD ALTERNATOR WITH REMOTE BATTERY VOLT SENSE			STD
292-098	(2) ALLIANCE MODEL 1231, GROUP 31, 12 VOLT MAINTENANCE FREE 2250 CCA THREADED STUD BATTERIES			\$41.00

Prepared by:
 Brian Jackson
 OKLAHOMA CITY FREIGHTLINER
 5301 I-40 WEST
 OKLAHOMA CITY, OK 73128
 Phone: 580-223-2233

Data Code	Description	Weight Front	Weight Rear	Retail Price
290-017	BATTERY BOX FRAME MOUNTED			STD
281-001	STANDARD BATTERY JUMPERS			STD
282-001	SINGLE BATTERY BOX FRAME MOUNTED LH SIDE UNDER CAB			STD
291-017	WIRE GROUND RETURN FOR BATTERY CABLES WITH ADDITIONAL FRAME GROUND RETURN			STD
289-001	NON-POLISHED BATTERY BOX COVER			STD
293-058	POSITIVE LOAD DISCONNECT WITH CAB MOUNTED CONTROL SWITCH MOUNTED OUTBOARD DRIVER SEAT	8		\$240.00
295-029	POSITIVE AND NEGATIVE POSTS FOR JUMPSTART LOCATED ON FRAME NEXT TO STARTER	2		\$111.00
107-032	CUMMINS TURBOCHARGED 18.7 CFM AIR COMPRESSOR WITH INTERNAL SAFETY VALVE			STD
108-002	STANDARD MECHANICAL AIR COMPRESSOR GOVERNOR			STD
131-013	AIR COMPRESSOR DISCHARGE LINE			STD
152-041	ELECTRONIC ENGINE INTEGRAL SHUTDOWN PROTECTION SYSTEM			STD
128-998	NO RETARDER			(\$12.00)
016-1C2	RH OUTBOARD UNDER STEP MOUNTED HORIZONTAL AFTERTREATMENT SYSTEM ASSEMBLY WITH RH B-PILLAR MOUNTED VERTICAL TAILPIPE	30	25	\$852.00
28F-002	ENGINE AFTERTREATMENT DEVICE, AUTOMATIC OVER THE ROAD REGENERATION AND DASH MOUNTED REGENERATION REQUEST SWITCH			STD
239-020	10 FOOT 00 INCH (120 INCH+0/-5.9 INCH) EXHAUST SYSTEM HEIGHT			N/C
237-1CR	RH CURVED VERTICAL TAILPIPE B-PILLAR MOUNTED ROUTED FROM STEP			N/C
23U-001	6 GALLON DIESEL EXHAUST FLUID TANK			STD
30N-003	100 PERCENT DIESEL EXHAUST FLUID FILL			STD
43X-002	LH MEDIUM DUTY STANDARD DIESEL EXHAUST FLUID TANK LOCATION			STD
23Y-002	DIESEL EXHAUST FLUID PUMP MOUNTED AFT OF DIESEL EXHAUST FLUID TANK			\$32.00
43Y-001	STANDARD DIESEL EXHAUST FLUID TANK CAP			STD
242-011	ALUMINUM AFTERTREATMENT DEVICE/MUFFLER/TAILOPIPE SHIELD(S)			N/C
273-018	HORTON DRIVEMASTER ADVANTAGE ON/OFF FAN DRIVE			N/C

Data Code	Description	Weight Front	Weight Rear	Retail Price
276-002	AUTOMATIC FAN CONTROL WITH DASH SWITCH AND INDICATOR LIGHT, NON ENGINE MOUNTED			\$18.00
110-003	CUMMINS SPIN ON FUEL FILTER			STD
118-008	COMBINATION FULL FLOW/BYPASS OIL FILTER			N/C
120-009	FLEETGUARD PLAIN COOLANT FILTER			\$131.00
266-013	1100 SQUARE INCH ALUMINUM RADIATOR	20		N/C
103-036	ANTIFREEZE TO -34F, ETHYLENE GLYCOL PRE-CHARGED SCA HEAVY DUTY COOLANT			\$10.00
171-007	GATES BLUE STRIPE COOLANT HOSES OR EQUIVALENT			STD
172-001	CONSTANT TENSION HOSE CLAMPS FOR COOLANT HOSES			STD
270-016	RADIATOR DRAIN VALVE			STD
168-002	LOWER RADIATOR GUARD			STD
138-011	PHILLIPS-TEMRO 1000 WATT/115 VOLT BLOCK HEATER	4		\$99.00
140-053	BLACK PLASTIC ENGINE HEATER RECEPTACLE MOUNTED UNDER LH DOOR			N/C
134-001	ALUMINUM FLYWHEEL HOUSING			STD
132-004	ELECTRIC GRID AIR INTAKE WARMER			STD
155-058	DELCO 12V 38MT HD STARTER WITH INTEGRATED MAGNETIC SWITCH			N/C

Transmission

342-582	ALLISON 3000 RDS AUTOMATIC TRANSMISSION WITH PTO PROVISION	200	60	\$6,785.00
---------	--	-----	----	------------

Transmission Equipment

343-320	ALLISON VOCATIONAL PACKAGE 168 - AVAILABLE ON 3000/4000 PRODUCT FAMILIES WITH VOCATIONAL MODEL RDS			N/C
84B-013	ALLISON VOCATIONAL RATING FOR REFUSE APPLICATIONS AVAILABLE WITH ALL PRODUCT FAMILIES			N/C
84C-023	PRIMARY MODE GEARS, LOWEST GEAR 1, START GEAR 1, HIGHEST GEAR 6, AVAILABLE FOR 3000/4000 PRODUCT FAMILIES ONLY			N/C
84D-023	SECONDARY MODE GEARS, LOWEST GEAR 1, START GEAR 1, HIGHEST GEAR 6, AVAILABLE FOR 3000/4000 PRODUCT FAMILIES ONLY			N/C
84E-000	PRIMARY SHIFT SCHEDULE RECOMMENDED BY DTNA AND ALLISON, THIS DEFINED BY ENGINE AND VOCATIONAL USAGE			STD
84F-000	SECONDARY SHIFT SCHEDULE RECOMMENDED BY DTNA AND ALLISON, THIS DEFINED BY ENGINE AND VOCATIONAL USAGE			STD

Data Code	Description	Weight Front	Weight Rear	Retail Price
84G-000	PRIMARY SHIFT SPEED RECOMMENDED BY DTNA AND ALLISON, THIS DEFINED BY ENGINE AND VOCATIONAL USAGE			STD
84H-000	SECONDARY SHIFT SPEED RECOMMENDED BY DTNA AND ALLISON, THIS DEFINED BY ENGINE AND VOCATIONAL USAGE			STD
84L-000	LOAD BASED SHIFT SCHEDULE AND VEHICLE ACCELERATION CONTROL RECOMMENDED BY DTNA AND ALLISON, THIS DEFINED VOCATIONAL USAGE			STD
84N-000	NEUTRAL AT STOP - DISABLED, FUELSENSE - DISABLED			STD
84U-000	DRIVER SWITCH INPUT - DEFAULT - NO SWITCHES			STD
353-027	VEHICLE INTERFACE WIRING CONNECTOR WITH PDM AND NO BLUNT CUTS, AT END OF FRAME			\$794.00
34C-001	ELECTRONIC TRANSMISSION CUSTOMER ACCESS CONNECTOR FIREWALL MOUNTED			\$38.00
362-035	CUSTOMER INSTALLED CHELSEA 277 SERIES PTO			N/C
363-001	PTO MOUNTING, LH SIDE OF MAIN TRANSMISSION			N/C
341-018	MAGNETIC PLUGS, ENGINE DRAIN, TRANSMISSION DRAIN, AXLE(S) FILL AND DRAIN			STD
345-003	PUSH BUTTON ELECTRONIC SHIFT CONTROL, DASH MOUNTED			N/C
97G-004	TRANSMISSION PROGNOSTICS - ENABLED 2013			N/C
370-015	WATER TO OIL TRANSMISSION COOLER, IN RADIATOR END TANK			STD
346-003	TRANSMISSION OIL CHECK AND FILL WITH ELECTRONIC OIL LEVEL CHECK			N/C
35T-001	SYNTHETIC TRANSMISSION FLUID (TES-295 COMPLIANT)			STD

Front Axle and Equipment

400-1A9	DETROIT DA-F-16.0-5 16,000# FL1 71.0 KPI/3.74 DROP SINGLE FRONT AXLE	190		\$1,945.00
402-013	MERITOR 16.5X6 Q+ CAST SPIDER HEAVY DUTY CAM FRONT BRAKES, DOUBLE ANCHOR, FABRICATED SHOES			\$71.00
403-002	NON-ASBESTOS FRONT BRAKE LINING			STD
419-023	CONMET CAST IRON FRONT BRAKE DRUMS			STD
427-001	FRONT BRAKE DUST SHIELDS	5		\$84.00
409-006	FRONT OIL SEALS			N/C

Data Code	Description	Weight Front	Weight Rear	Retail Price
408-001	VENTED FRONT HUB CAPS WITH WINDOW, CENTER AND SIDE PLUGS - OIL			STD
416-022	STANDARD SPINDLE NUTS FOR ALL AXLES			STD
405-002	MERITOR AUTOMATIC FRONT SLACK ADJUSTERS			STD
536-012	TRW TAS-85 POWER STEERING	40		N/C
539-003	POWER STEERING PUMP			STD
534-015	2 QUART SEE THROUGH POWER STEERING RESERVOIR			STD
533-001	OIL/AIR POWER STEERING COOLER	5		\$398.00
40T-001	ORGANIC SAE 80/90 FRONT AXLE LUBE			STD
Front Suspension				
620-004	16,000# FLAT LEAF FRONT SUSPENSION	260		\$684.00
619-004	GRAPHITE BRONZE BUSHINGS WITH SEALS - FRONT SUSPENSION			N/C
62H-998	NO FRONT SUSPENSION SPRING BRACKET OPTIONS			STD
410-001	FRONT SHOCK ABSORBERS			\$136.00
Rear Axle and Equipment				
420-024	RS-30-185 30,000# U-SERIES SINGLE REAR AXLE		275	\$7,317.00
421-586	5.86 REAR AXLE RATIO			\$84.00
424-001	IRON REAR AXLE CARRIER WITH STANDARD AXLE HOUSING			STD
386-076	MXL 17N MERITOR EXTENDED LUBE MAIN DRIVELINE WITH FULL ROUND YOKES	20	20	\$481.00
423-010	MERITOR 16.5X7 P CAM REAR BRAKES, DOUBLE ANCHOR, CAST SHOES		20	N/C
433-002	NON-ASBESTOS REAR BRAKE LINING			STD
434-012	BRAKE CAMS AND CHAMBERS ON REAR SIDE OF DRIVE AXLE(S)			N/C
451-018	WEBB CAST IRON REAR BRAKE DRUMS		50	N/C
425-002	REAR BRAKE DUST SHIELDS			\$61.00
440-006	REAR OIL SEALS			N/C
426-1B2	BENDIX EVERSURE LONGSTROKE 1-DRIVE AXLE SPRING PARKING CHAMBERS			\$22.00
428-003	HALDEX AUTOMATIC REAR SLACK ADJUSTERS			\$45.00
41T-001	ORGANIC SAE 80/90 REAR AXLE LUBE			STD
Rear Suspension				
622-1DF	30,000# FLAT LEAF SPRING REAR SUSPENSION WITH HELPER AND RADIUS ROD		230	(\$954.00)
621-001	SPRING SUSPENSION - NO AXLE SPACERS			N/C

Data Code	Description	Weight Front	Weight Rear	Retail Price
431-001	STANDARD AXLE SEATS IN AXLE CLAMP GROUP			STD
623-005	FORE/AFT CONTROL RODS			N/C
Brake System				
018-002	AIR BRAKE PACKAGE			STD
490-101	WABCO 4S/4M ABS WITH TRACTION CONTROL			\$199.00
871-001	REINFORCED NYLON, FABRIC BRAID AND WIRE BRAID CHASSIS AIR LINES			STD
904-001	FIBER BRAID PARKING BRAKE HOSE			STD
412-001	STANDARD BRAKE SYSTEM VALVES			STD
46D-002	STANDARD AIR SYSTEM PRESSURE PROTECTION SYSTEM			STD
413-002	STD U.S. FRONT BRAKE VALVE			STD
432-003	RELAY VALVE WITH 5-8 PSI CRACK PRESSURE, NO REAR PROPORTIONING VALVE			STD
480-009	BW AD-9 BRAKE LINE AIR DRYER WITH HEATER	20		N/C
479-015	AIR DRYER FRAME MOUNTED			STD
460-058	STEEL AIR TANKS MOUNTED AFT INSIDE AND/OR BELOW FRAME JUST FORWARD OF REAR SUSPENSION			\$117.00
607-001	CLEAR FRAME RAILS FROM BACK OF CAB TO FRONT REAR SUSPENSION BRACKET, BOTH RAILS OUTBOARD			\$63.00
477-006	BW DV-2 AUTO DRAIN VALVE WITHOUT HEATER ON ALL TANK(S)			\$85.00
Trailer Connections				
335-004	UPGRADED CHASSIS MULTIPLEXING UNIT			STD
32A-002	UPGRADED BULKHEAD MULTIPLEXING UNIT			STD
30L-998	NO HIGH CURRENT TRAILER/BODY CABLE			STD
Wheelbase & Frame				
545-582	5825MM (229 INCH) WHEELBASE			N/C
546-101	11/32X3-1/2X10-15/16 INCH STEEL FRAME (8.73MMX277.8MM/0.344X10.94 INCH) 120KSI	270	120	\$877.00
547-001	1/4 INCH (6.35MM) C-CHANNEL INNER FRAME REINFORCEMENT	170	390	\$935.00
552-007	2450MM (96 INCH) REAR FRAME OVERHANG			N/C
55W-009	FRAME OVERHANG RANGE: 91 INCH TO 100 INCH	-60	260	N/C
AC8-99D	CALC'D BACK OF CAB TO REAR SUSP C/L (CA) : 163.45 in			
AE8-99D	CALCULATED EFFECTIVE BACK OF CAB TO REAR SUSPENSION C/L (CA) : 160.45 in			

Data Code	Description	Weight Front	Weight Rear	Retail Price
AE4-99D	CALC'D FRAME LENGTH - OVERALL : 354.39			
AM6-99D	CALC'D SPACE AVAILABLE FOR DECKPLATE : 163.45 in			
FSS-0LH	CALCULATED FRAME SPACE LH SIDE : 165.84 in			N/C
FSS-0RH	CALCULATED FRAME SPACE RH SIDE : 148.37 in			N/C
553-001	SQUARE END OF FRAME			STD
587-003	REAR TOW HOOKS		10	\$51.00
550-001	FRONT CLOSING CROSSMEMBER			STD
559-003	LIGHTWEIGHT HEAVY DUTY ALUMINUM ENGINE CROSSMEMBER	-12		\$51.00
562-001	STANDARD MIDSHIP #1 CROSSMEMBER(S)			STD
572-001	STANDARD REARMOST CROSSMEMBER			STD
565-001	STANDARD SUSPENSION CROSSMEMBER			STD

Chassis Equipment

556-1AN	THREE-PIECE 14 INCH STEEL CENTER BUMPER WITH FLEXIBLE PLASTIC ENDS			STD
558-001	FRONT TOW HOOKS - FRAME MOUNTED	15		\$96.00
574-001	BUMPER MOUNTING FOR SINGLE LICENSE PLATE			STD
586-024	FENDER AND FRONT OF HOOD MOUNTED FRONT MUDFLAPS			STD
551-007	GRADE 8 THREADED HEX HEADED FRAME FASTENERS			STD
489-998	NO TIRE PRESSURE CONTROL/SENSOR			STD

Fuel Tanks

204-215	50 GALLON/189 LITER SHORT RECTANGULAR ALUMINUM FUEL TANK - LH	20		\$133.00
218-005	RECTANGULAR FUEL TANK(S)			STD
215-005	PLAIN ALUMINUM/PAINTED STEEL FUEL/HYDRAULIC TANK(S) WITH PAINTED BANDS			STD
212-007	FUEL TANK(S) FORWARD			STD
664-001	PLAIN STEP FINISH			STD
205-001	FUEL TANK CAP(S)			STD
122-1H7	DAVCO 245 FUEL/WATER SEPARATOR WITH WATER IN FUEL SENSOR	5		\$270.00
216-020	EQUIFLO INBOARD FUEL SYSTEM			STD
202-016	HIGH TEMPERATURE REINFORCED NYLON FUEL LINE			STD

Tires

Data Code	Description	Weight Front	Weight Rear	Retail Price
093-0RW	MICHELIN XZA2 ENERGY 315/80R22.5 20 PLY RADIAL FRONT TIRES	56		\$338.00
094-1RJ	MICHELIN X WORKS Z 315/80R22.5 20 PLY RADIAL REAR TIRES		200	\$1,140.00
Hubs				
418-060	CONMET PRESET PLUS PREMIUM IRON FRONT HUBS			\$150.00
450-014	WEBB IRON REAR HUBS		70	N/C
Wheels				
502-579	MAXION WHEELS 10041 22.5X9.00 10-HUB PILOT 5.25 INSET 5-HAND STEEL DISC FRONT WHEELS	66		\$270.00
505-596	MAXION WHEELS 10047 22.5X9.00 10-HUB PILOT 5-HAND STEEL DISC REAR WHEELS		92	\$528.00
50W-998	NO RIM/WHEEL TIRE PRESSURE SENSOR			STD
496-011	FRONT WHEEL MOUNTING NUTS			STD
497-011	REAR WHEEL MOUNTING NUTS			STD
Cab Exterior				
829-071	106 INCH BBC FLAT ROOF ALUMINUM CONVENTIONAL CAB			STD
650-008	AIR CAB MOUNTING			\$118.00
648-002	NONREMOVABLE BUGSCREEN MOUNTED BEHIND GRILLE			\$46.00
678-001	LH AND RH GRAB HANDLES			STD
646-023	HOOD MOUNTED CHROMED PLASTIC GRILLE			\$97.00
65X-001	ARGENT SILVER HOOD MOUNTED AIR INTAKE GRILLE			STD
644-004	FIBERGLASS HOOD			STD
727-1AM	DUAL 24 INCH ROUND POLISHED ALUMINUM AIR HORNS ROOF MOUNTED	8		\$196.00
726-002	DUAL ELECTRIC HORNS			\$10.00
728-002	DUAL HORN SHIELDS			N/C
657-1CV	DOOR LOCKS AND IGNITION SWITCH KEYED THE SAME WITH (4) KEYS			\$19.00
575-001	REAR LICENSE PLATE MOUNT END OF FRAME			STD
327-012	SWITCH, INDICATOR LIGHT AND WIRING FOR (2) CUSTOMER FURNISHED BEACONS			\$58.00
312-038	INTEGRAL HEADLIGHT/MARKER ASSEMBLY WITH CHROME BEZEL			N/C
302-047	LED AERODYNAMIC MARKER LIGHTS			\$37.00
311-001	DAYTIME RUNNING LIGHTS			\$21.00

Prepared by:
 Brian Jackson
 OKLAHOMA CITY FREIGHTLINER
 5301 I-40 WEST
 OKLAHOMA CITY, OK 73128
 Phone: 580-223-2233

Data Code	Description	Weight Front	Weight Rear	Retail Price
294-046	OMIT STOP/TAIL/BACKUP LIGHTS AND PROVIDE WIRING WITH SEPARATE STOP/TURN WIRES TO 4 FEET BEYOND END OF FRAME		-5	(\$55.00)
300-015	STANDARD FRONT TURN SIGNAL LAMPS			STD
318-032	SWITCH, INDICATOR LIGHT AND APPROXIMATELY 10 FEET OF WIRE ON CHASSIS RH BACK OF CAB FOR CUSTOMER FURNISHED UTILITY LIGHT(S)			\$71.00
744-1BC	DUAL WEST COAST BRIGHT FINISH HEATED MIRRORS WITH LH AND RH REMOTE			\$330.00
797-001	DOOR MOUNTED MIRRORS			STD
796-001	102 INCH EQUIPMENT WIDTH			STD
743-204	LH AND RH 8 INCH BRIGHT FINISH CONVEX MIRRORS MOUNTED UNDER PRIMARY MIRRORS			N/C
729-001	STANDARD SIDE/REAR REFLECTORS			STD
768-043	63X14 INCH TINTED REAR WINDOW			STD
661-003	TINTED DOOR GLASS LH AND RH WITH TINTED NON-OPERATING WING WINDOWS			STD
654-027	RH AND LH ELECTRIC POWERED WINDOWS, PASSENGER SWITCHES ON DOOR(S)	4		\$218.00
663-013	TINTED WINDSHIELD			STD
659-019	2 GALLON WINDSHIELD WASHER RESERVOIR WITHOUT FLUID LEVEL INDICATOR, FRAME MOUNTED			STD

Cab Interior

707-1AK	OPAL GRAY VINYL INTERIOR			N/C
706-013	MOLDED PLASTIC DOOR PANEL			STD
708-013	MOLDED PLASTIC DOOR PANEL			STD
772-006	BLACK MATS WITH SINGLE INSULATION			STD
785-001	DASH MOUNTED ASH TRAYS AND LIGHTER			\$12.00
691-008	FORWARD ROOF MOUNTED CONSOLE WITH UPPER STORAGE COMPARTMENTS WITHOUT NETTING			STD
694-010	IN DASH STORAGE BIN			STD
693-023	LH DOOR MAP POCKET			\$127.00
742-007	(2) CUP HOLDERS LH AND RH DASH			STD
680-006	GRAY/CHARCOAL FLAT DASH			STD
860-004	SMART SWITCH EXPANSION MODULE			\$189.00
720-003	5 LB. FIRE EXTINGUISHER	10		\$65.00
700-002	HEATER, DEFROSTER AND AIR CONDITIONER			STD
701-001	STANDARD HVAC DUCTING			STD

Data Code	Description	Weight Front	Weight Rear	Retail Price
703-005	MAIN HVAC CONTROLS WITH RECIRCULATION SWITCH			STD
170-015	STANDARD HEATER PLUMBING			STD
130-033	DENSO HEAVY DUTY AIR CONDITIONER COMPRESSOR			STD
702-002	BINARY CONTROL, R-134A			STD
739-033	STANDARD INSULATION			STD
285-013	SOLID-STATE CIRCUIT PROTECTION AND FUSES			STD
280-007	12V NEGATIVE GROUND ELECTRICAL SYSTEM			STD
324-011	DOME DOOR ACTIVATED LH AND RH, DUAL READING LIGHTS, FORWARD CAB ROOF			\$68.00
655-005	LH AND RH ELECTRIC DOOR LOCKS			\$99.00
284-023	(1) 12 VOLT POWER SUPPLY IN DASH			\$16.00
756-1J3	BASIC HIGH BACK AIR SUSPENSION DRIVER SEAT WITH MECHANICAL LUMBAR AND INTEGRATED CUSHION EXTENSION	30		\$212.00
760-1DC	BASIC HIGH BACK NON SUSPENSION PASSENGER SEAT			STD
759-007	DUAL DRIVER SEAT ARMRESTS, NO PASSENGER SEAT ARMRESTS	4		\$69.00
711-004	LH AND RH INTEGRAL DOOR PANEL ARMRESTS			STD
758-036	VINYL WITH VINYL INSERT DRIVER SEAT			STD
761-036	VINYL WITH VINYL INSERT PASSENGER SEAT			STD
763-101	BLACK SEAT BELTS			STD
532-002	ADJUSTABLE TILT AND TELESCOPING STEERING COLUMN	10		\$478.00
540-015	4-SPOKE 18 INCH (450MM) STEERING WHEEL			STD
765-002	DRIVER AND PASSENGER INTERIOR SUN VISORS			STD

Instruments & Controls

732-004	GRAY DRIVER INSTRUMENT PANEL			STD
734-004	GRAY CENTER INSTRUMENT PANEL			STD
87L-001	ENGINE REMOTE INTERFACE WITH PARK BRAKE INTERLOCK			N/C
870-001	BLACK GAUGE BEZELS			STD
486-001	LOW AIR PRESSURE INDICATOR LIGHT AND AUDIBLE ALARM			STD
838-001	(1) SINGLE BRAKE APPLICATION AIR GAUGE			\$65.00
840-002	2 INCH PRIMARY AND SECONDARY AIR PRESSURE GAUGES			STD
198-003	DASH MOUNTED AIR RESTRICTION INDICATOR WITH GRADUATIONS			\$34.00

Data Code	Description	Weight Front	Weight Rear	Retail Price
721-001	97 DB BACKUP ALARM		3	\$60.00
149-013	ELECTRONIC CRUISE CONTROL WITH SWITCHES IN LH SWITCH PANEL			STD
156-007	KEY OPERATED IGNITION SWITCH AND INTEGRAL START POSITION; 4 POSITION OFF/RUN/START/ACCESSORY			STD
811-042	ICU3S, 132X48 DISPLAY WITH DIAGNOSTICS, 28 LED WARNING LAMPS AND DATA LINKED			STD
160-038	HEAVY DUTY ONBOARD DIAGNOSTICS INTERFACE CONNECTOR LOCATED BELOW LH DASH			STD
844-001	2 INCH ELECTRIC FUEL GAUGE			STD
148-070	ENGINE REMOTE INTERFACE WITH PRESET FAST IDLE			\$85.00
163-004	ENGINE REMOTE INTERFACE CONNECTOR IN ENGINE COMPARTMENT			(\$22.00)
856-001	ELECTRICAL ENGINE COOLANT TEMPERATURE GAUGE			STD
864-001	2 INCH TRANSMISSION OIL TEMPERATURE GAUGE			\$9.00
830-017	ENGINE AND TRIP HOUR METERS INTEGRAL WITHIN DRIVER DISPLAY			STD
372-051	CUSTOMER FURNISHED AND INSTALLED PTO CONTROLS			N/C
73B-998	NO LANE DEPARTURE WARNING SYSTEM			STD
852-002	ELECTRIC ENGINE OIL PRESSURE GAUGE			STD
679-001	OVERHEAD INSTRUMENT PANEL			\$76.00
746-114	AM/FM/WB WORLD TUNER RADIO WITH AUXILIARY INPUT, J1939	10		\$274.00
747-001	DASH MOUNTED RADIO			N/C
750-002	(2) RADIO SPEAKERS IN CAB			N/C
753-001	AM/FM ANTENNA MOUNTED ON FORWARD LH ROOF	2		N/C
748-006	POWER AND GROUND WIRING PROVISION OVERHEAD			\$23.00
749-001	ROOF/OVERHEAD CONSOLE CB RADIO PROVISION			\$92.00
810-027	ELECTRONIC MPH SPEEDOMETER WITH SECONDARY KPH SCALE, WITHOUT ODOMETER			STD
817-001	STANDARD VEHICLE SPEED SENSOR			STD
812-001	ELECTRONIC 3000 RPM TACHOMETER			STD
813-998	NO VEHICLE PERFORMANCE MONITOR	-5		STD
8D1-998	NO DETROIT CONNECT SERVICES SELECTED			STD
8Z1-998	NO ZONAR SERVICES SELECTED			STD

Prepared by:
 Brian Jackson
 OKLAHOMA CITY FREIGHTLINER
 5301 I-40 WEST
 OKLAHOMA CITY, OK 73128
 Phone: 580-223-2233

Data Code	Description	Weight Front	Weight Rear	Retail Price
162-002	IGNITION SWITCH CONTROLLED ENGINE STOP			N/C
836-015	DIGITAL VOLTAGE DISPLAY INTEGRAL WITH DRIVER DISPLAY			STD
660-008	SINGLE ELECTRIC WINDSHIELD WIPER MOTOR WITH DELAY			STD
304-003	MARKER LIGHT/HEADLIGHT SWITCH WITH SEPARATE INTERRUPTER FOR CLEARANCE LIGHTS			\$13.00
882-009	ONE VALVE PARKING BRAKE SYSTEM WITH WARNING INDICATOR			STD
299-013	SELF CANCELING TURN SIGNAL SWITCH WITH DIMMER, WASHER/WIPER AND HAZARD IN HANDLE			STD
298-039	INTEGRAL ELECTRONIC TURN SIGNAL FLASHER WITH HAZARD LAMPS OVERRIDING STOP LAMPS			STD
869-998	NO MISCELLANEOUS GAUGES			STD
Design				
065-000	PAINT: ONE SOLID COLOR			STD
Color				
980-5F6	CAB COLOR A: L0006EB WHITE ELITE BC			STD
986-020	BLACK, HIGH SOLIDS POLYURETHANE CHASSIS PAINT			STD
98K-998	NO FUEL TANK CABINET PAINT			STD
962-972	POWDER WHITE (N0006EA) FRONT WHEELS/RIMS (PKWHT21, TKWHT21, W, TW)			STD
966-972	POWDER WHITE (N0006EA) REAR WHEELS/RIMS (PKWHT21, TKWHT21, W, TW)			STD
964-6Z7	BUMPER PAINT: FP24812 ARGENT SILVER DUPONT FLEX			STD
963-003	STANDARD E COAT/UNDERCOATING			STD
Certification / Compliance				
996-001	U.S. FMVSS CERTIFICATION, EXCEPT SALES CABS AND GLIDER KITS			STD
Sales Programs				
RZ1-998	NO ZONAR SERVICE SELECTED			STD

TOTAL VEHICLE SUMMARY

Adjusted List Price

Adjusted List Price ** \$140,835.00



Prepared by:
 Brian Jackson
 OKLAHOMA CITY FREIGHTLINER
 5301 I-40 WEST
 OKLAHOMA CITY, OK 73128
 Phone: 580-223-2233

Weight Summary

	Weight Front	Weight Rear	Total Weight
Factory Weight*	7806 lbs	5353 lbs	13159 lbs
Total Weight*	7806 lbs	5353 lbs	13159 lbs

ITEMS NOT INCLUDED IN ADJUSTED LIST PRICE

Other Factory Charges

PMU-017	2016 OBD/2010 EPA/CARB/GHG17 ESCALATOR	\$300.00
RD1-998	NO DETROIT CONNECT SERVICE SELECTED	STD
P73-2FT	STANDARD DESTINATION CHARGE	\$2,050.00

(+) Weights shown are estimates only.

If weight is critical, contact Customer Application Engineering.

(**) Prices shown do not include taxes, fees, etc... "Net Equipment Selling Price" is located on the Quotation Details Proposal Report.



Dustin Scott

From: Rodney Womack <rwomack@jrequip.net>
Sent: Friday, October 20, 2017 14:52
To: Dustin Scott
Subject: FW: FW Quote on Freightliner and Sprinter square body

Dustin quote for a dual drive freightliner and our sprinter body is \$230,069.00 for new; and the refurbished body on this chassis is \$187,500.00

-----Original Message-----

From: Rodney Womack
Sent: Wednesday, October 18, 2017 11:06 AM
To: 'Dustin Scott' <dustin.scott@cityofmarietta.net>
Subject: FW Quote on Peterbilt and Sprinter square body

Dustin state contract price on attached new chassis and new body is \$251,246.00 . We do have a used body with very little use we would refurb , paint and install on this chassis for a complete price body and new chassis for \$208,677.00 we would offer full 1 year warranty on body , hydraulics , cylinders and then the warranty on the chassis would be whatever it is from the manufacture new. I should have the freightliner dual drive later today. thanks

-----Original Message-----

From: Services
Sent: Wednesday, October 18, 2017 10:08 AM
From: Rodney Womack <rwomack@jrequip.net>
Subject: Message from "MPC3003"

This E-mail was sent from "MPC3003" (MP C3003).

Scan Date: 10.18.2017 11:08:08 (-0400)
Queries to: services@jrequip.net



**J&R
EQUIPMENT LLC**
8800 S.W. 8TH ST.
OKLAHOMA CITY, OK 73128
PH: (405) 495-5110
jandrequipment.com



2017 Sprinter Order

Order Information

Order Status: In Progress	Order Date: 10/16/2017	
PO Number: quote	Ship To: Distributor Branch	Ref #: 3846-8679
Distributor J & R Equipment LLC 25 C. North Council Road Oklahoma City, OK 73127 Contact: rodney Phone: 405-495-5110 Fax: 405-495-5112	Final User Marrietta ok ok, OK ok Full Name: ok Phone: Fax: Contact Email: ok	Ship To J & R Equipment LLC 25 C. North Council Road Oklahoma City, OK 73127 Contact: Phone: Fax:
Requested Ship Date: 10/20/2017	Do Not Ship Before: 10/10/2017	Order Quantity: 1

Option Selections

Option	Price
Chassis Info Chassis Supplied by Customer	--
Cab Configuration Ordered at Mfg No Selection	\$0.00
Body Capacity SP230260 SPRINTER - 26 (23+3) cu. yds	\$104,450.00
Configurative Features LAAS2310 Lifting arm mounted on Right hand side	\$0.00
CNG Options No Selection	\$0.00
Lifting Options	
AAJC2310 Drive Position Main Control Pneumatic Joystick, 1 handle, reach-lift (upgrade from 2 handles)	\$460.00
LALB2320 PAK-MOR Lift bar in lieu Standard Lift Bar	\$0.00
LALF2300 Floating Head Lift bar In Lieu of Standard Lift Bar	\$1,230.00
LALG2320 Universal Grabbers : fixed, 110 gallon lifting capacity	\$5,300.00
LARE2300 48 Reach Extended ARM (2,000lb Capacity) in Lieu of 30.	\$430.00
Electrical & Hydraulic Options	
EGSE2310 Third Eye single sensor Radar Detection System	\$370.00
HHPG2300 Pressure gauge 2, mounted behind cab rear window.	\$370.00
EDAA2300 Warning: rear door ajar indicator lamp and audible buzzer	\$250.00
Camera & Lighting Options	
LWLK2310 Lighting: Work Light Kit, 4 lights in work area, 1 lights in hopper	\$1,070.00
LLPA2310 Light: (4) LED Multi-Function Strobe/Turn signals	\$980.00
CCST2338 Triple Zone Defense	\$2,170.00

Specify Camera Location SP-4 Hopper (4)
 Specify Camera 2 Location SP-6 RH-work area (6)
 Specify Camera 3 Location SP-1 Center tailgate (1)

Body Options

LWLK2310	Lighting: Work Light Kit, 4 lights in work area, 1 lights in hopper	\$1,070.00
LLPA2310	Light: (4) LED Multi-Function Strobe/Turn signals	\$980.00
CCST2338	Triple Zone Defense	\$2,170.00
	Specify Camera Location SP-4 Hopper (4)	
	Specify Camera 2 Location SP-6 RH-work area (6)	
	Specify Camera 3 Location SP-1 Center tailgate (1)	

Chassis Options

CRAD2300	Centralized Air Tanks Drains: Petcocks located near battery cut off switch	\$410.00
----------	--	----------

Standard Options

STD	5 lbs fire extinguisher, first aid kit & triangle kit	\$0.00
STD	ANSI Z245.1-2012 compliant	\$0.00
STD	Zinc-plated hydraulic tubing	\$0.00
STD	Body blasted with steel grit	\$0.00
STD	Marine rust inhibitor treatment on body	\$0.00
STD	Warranty on Body & Hydraulics: 1 Year	\$0.00
STD	Remote mounted Gear pump	\$0.00
STD	Two chromed double acting telescopic packer cylinders	\$0.00
STD	12 C.Y. hopper (HIGH PROFILE BODY), 10.2 C.Y. hopper (LOW PROFILE BODY)	\$0.00
STD	Packer panel: Full eject type, full height	\$0.00
STD	Grade 80 Steel Body	\$0.00
STD	AR400 hopper floor	\$0.00
STD	Clean out doors- front of hopper - both sides	\$0.00
STD	Arms rated capacity: 3,000 lbs @ 30in reach	\$0.00
STD	Hot Shift Power Take-Off (PTO)	\$0.00

Paint & Stickers

PCBP2310	1 Color Urethane Body Paint (Included in unit base price) Color white	\$0.00
PSSS2320	CAUTION THIS VEHICLE MAKES FREQUENT STOPS STAY BACK 50 FEET, 65in x 20in	\$210.00

Body Warranty

No Selection	\$0.00
--------------	--------

Free on Board (FOB)

YUMA, AZ	\$440.00
----------	----------

Other Options

Other Option	Price
--------------	-------

Additional Note: Special Order items and non-published options may require additional time to manufacture. Engineering design time may also be required prior to creation of a part number or assignment of a price. When this order is complete, an acknowledgement will be provided for configuration and price verification.

Order Comments

LIST PRICE	\$122,360
NET PRICE	

All prices F.O.B. FACTORY. Does not include applicable taxes.

Order Notes:

List price with freight 126,360.00 . State Contract pricing body only includes unlimited training\$122,569.00

Prepared for:
 Rodney Womack
 City of Marietta
 101 West Main Street
 Marietta, OK 73448
 Phone: 405-760-8111

Prepared by:
 Jane Kirton
 THE AROUND THE CLOCK
 FREIGHTLINER GROUP, LLC
 5301 I-40 WEST
 OKLAHOMA CITY, OK 73128
 Phone: 405-945-3577

*SPRINTER 23+3
 DUAL SIT-DOWN
 FONTAINE*

[Signature] *19/10/2017*
SPECS APPROVED
[Signature] *19/10/2017*
 Approved by Date

S P E C I F I C A T I O N P R O P O S A L

Data Code	Description	Weight Front	Weight Rear
Price Level			
PRL-16D	SD PRL-16D (EFF:04/25/17)		
Data Version			
DRL-024	SPECPRO21 DATA RELEASE VER 024		
Interior Convenience/Driver Retention Package			
055-998	NO INTERIOR CONVENIENCE PACKAGE		
Vehicle Configuration			
001-177	114SD CONVENTIONAL CHASSIS ✓	7,934	6,576
004-218	2018 MODEL YEAR SPECIFIED ✓		
002-004	SET BACK AXLE - TRUCK ✓	480	-480
019-002	STRAIGHT TRUCK PROVISION		
* 003-012	LH PRIMARY STEERING LOCATION AND PREP FOR CUSTOMER SUPPLIED RH SIT-DOWN SECONDARY STEERING LOCATION WITH DUAL INSTRUMENT CLUSTER ✓		
General Service			
AA1-002	TRUCK CONFIGURATION		
AA6-001	DOMICILED, USA 50 STATES (INCLUDING CALIFORNIA AND CARB OPT-IN STATES)		
A85-001	REFUSE SERVICE		
A84-1GM	GOVERNMENT BUSINESS SEGMENT		
AA4-003	DRY BULK COMMODITY		
AA5-002	TERRAIN/DUTY: 100% (ALL) OF THE TIME, IN TRANSIT, IS SPENT ON PAVED ROADS		
AB1-008	MAXIMUM 8% EXPECTED GRADE		
AB5-001	SMOOTH CONCRETE OR ASPHALT PAVEMENT - MOST SEVERE IN-TRANSIT (BETWEEN SITES) ROAD SURFACE		
995-1A0	FREIGHTLINER SD VOCATIONAL WARRANTY ✓		
A66-99D	EXPECTED FRONT AXLE(S) LOAD : 16000.0 lbs ✓		



Prepared for:
 Rodney Womack
 City of Marietta
 101 West Main Street
 Marietta, OK 73448
 Phone: 405-760-8111

Prepared by:
 Jane Kirton
 THE AROUND THE CLOCK
 FREIGHTLINER GROUP, LLC
 5301 I-40 WEST
 OKLAHOMA CITY, OK 73128
 Phone: 405-945-3577

Data Code	Description	Weight Front	Weight Rear
A68-99D	EXPECTED REAR DRIVE AXLE(S) LOAD 40000.0 lbs		
A63-99D	EXPECTED GROSS VEHICLE WEIGHT CAPACITY : 56000.0 lbs		
Truck Service			
AA3-061	REFUSE, SIDE LOAD OR REAR PACKER BODY - UNLOADS IN A LANDFILL		
AF3-120	LABRIE AND ENVIROQUIP GROUP/LEACH/WITTKE/PENPAC		
Engine			
101-22T	CUM L9 350 HP @ 2000 RPM, 2200 GOV RPM, 1150 LB/FT @ 1400 RPM	-850	-70
Electronic Parameters			
79A-075	75 MPH ROAD SPEED LIMIT		
79B-000	CRUISE CONTROL SPEED LIMIT SAME AS ROAD SPEED LIMIT		
79K-007	PTO MODE ENGINE RPM LIMIT - 1100 RPM		
79M-001	PTO MODE BRAKE OVERRIDE - SERVICE BRAKE APPLIED		
79P-002	PTO RPM WITH CRUISE SET SWITCH - 700 RPM		
79Q-003	PTO RPM WITH CRUISE RESUME SWITCH - 800 RPM		
79S-001	PTO MODE CANCEL VEHICLE SPEED - 5 MPH		
79U-007	PTO GOVERNOR RAMP RATE - 250 RPM PER SECOND		
80G-002	PTO MINIMUM RPM - 700		
80J-002	REGEN INHIBIT SPEED THRESHOLD - 5 MPH		
Engine Equipment			
99C-017	2016 ONBOARD DIAGNOSTICS/2010 EPA/CARB/FINAL GHG17 CONFIGURATION		
99D-011	2008 CARB EMISSION CERTIFICATION - CLEAN IDLE (INCLUDES 6X4 INCH LABEL ON LOWER FORWARD CORNER OF DRIVER DOOR)		
PMT-998	NO 2013 ENGINE ESCALATOR		
13E-001	STANDARD OIL PAN		
105-001	ENGINE MOUNTED OIL CHECK AND FILL		
014-1B5	SIDE OF HOOD AIR INTAKE WITH DONALDSON HIGH CAPACITY AIR CLEANER WITH SAFETY ELEMENT, FIREWALL MOUNTED		
124-1D7	DR 12V 160 AMP 28-SI QUADRAMOUNT PAD ALTERNATOR WITH REMOTE BATTERY VOLT SENSE		



Prepared for:
 Rodney Womack
 City of Marietta
 101 West Main Street
 Marietta, OK 73448
 Phone: 405-760-8111

Prepared by:
 Jane Kirton
 THE AROUND THE CLOCK
 FREIGHTLINER GROUP, LLC
 5301 I-40 WEST
 OKLAHOMA CITY, OK 73128
 Phone: 405-945-3577

Data Code	Description	Weight Front	Weight Rear
292-071	(3) ALLIANCE MODEL 1231, GROUP 31, 12 VOLT MAINTENANCE FREE 3375 CCA THREADED STUD BATTERIES		
290-017	BATTERY BOX FRAME MOUNTED		
281-001	STANDARD BATTERY JUMPERS		
282-003	SINGLE BATTERY BOX FRAME MOUNTED LH SIDE BACK OF CAB		
291-017	WIRE GROUND RETURN FOR BATTERY CABLES WITH ADDITIONAL FRAME GROUND RETURN		
289-001	NON-POLISHED BATTERY BOX COVER		
293-058	POSITIVE LOAD DISCONNECT WITH CAB MOUNTED CONTROL SWITCH MOUNTED OUTBOARD DRIVER SEAT	8	
295-003	POSITIVE AND NEGATIVE POSTS FOR JUMPSTART CHASSIS MOUNTED LH BACK OF CAB	4	
107-032	CUMMINS TURBOCHARGED 18.7 CFM AIR COMPRESSOR WITH INTERNAL SAFETY VALVE		
152-041	ELECTRONIC ENGINE INTEGRAL SHUTDOWN PROTECTION SYSTEM		
128-076	CUMMINS EXHAUST BRAKE INTEGRAL WITH VARIABLE GEOMETRY TURBO WITH ON/OFF DASH SWITCH	20	
016-1C2	RH OUTBOARD UNDER STEP MOUNTED HORIZONTAL AFTERTREATMENT SYSTEM ASSEMBLY WITH RH B-PILLAR MOUNTED VERTICAL TAILPIPE	30	25
28F-002	ENGINE AFTERTREATMENT DEVICE, AUTOMATIC OVER THE ROAD REGENERATION AND DASH MOUNTED REGENERATION REQUEST SWITCH		
239-026	10 FOOT 06 INCH (126 INCH+0/-5.9 INCH) EXHAUST SYSTEM HEIGHT		
237-1CR	RH CURVED VERTICAL TAILPIPE B-PILLAR MOUNTED ROUTED FROM STEP		
23U-001	6 GALLON DIESEL EXHAUST FLUID TANK	-35	-10
30N-003	100 PERCENT DIESEL EXHAUST FLUID FILL		
23Y-002	DIESEL EXHAUST FLUID PUMP MOUNTED AFT OF DIESEL EXHAUST FLUID TANK		
43X-002	LH MEDIUM DUTY STANDARD DIESEL EXHAUST FLUID TANK LOCATION		
43Y-001	STANDARD DIESEL EXHAUST FLUID TANK CAP		
242-011	ALUMINUM AFTERTREATMENT DEVICE/MUFFLER/TAILPIPE SHIELD(S)		
273-018	HORTON DRIVEMASTER ADVANTAGE ON/OFF FAN DRIVE		



Prepared for:
 Rodney Womack
 City of Marietta
 101 West Main Street
 Marietta, OK 73448
 Phone: 405-760-8111

Prepared by:
 Jane Kirton
 THE AROUND THE CLOCK
 FREIGHTLINER GROUP, LLC
 5301 I-40 WEST
 OKLAHOMA CITY, OK 73128
 Phone: 405-945-3577

Data Code	Description	Weight Front	Weight Rear
276-001	AUTOMATIC FAN CONTROL WITHOUT DASH SWITCH, NON ENGINE MOUNTED		
110-003	CUMMINS SPIN ON FUEL FILTER		
118-008	COMBINATION FULL FLOW/BYPASS OIL FILTER		
266-017	1300 SQUARE INCH ALUMINUM RADIATOR	-20	
103-039	ANTIFREEZE TO -34F, OAT (NITRITE AND SILICATE FREE) EXTENDED LIFE COOLANT		
171-007	GATES BLUE STRIPE COOLANT HOSES OR EQUIVALENT		
172-001	CONSTANT TENSION HOSE CLAMPS FOR COOLANT HOSES		
270-016	RADIATOR DRAIN VALVE		
168-002	LOWER RADIATOR GUARD	6	
138-011	PHILLIPS-TEMRO 1000 WATT/115 VOLT BLOCK HEATER	4	
140-053	BLACK PLASTIC ENGINE HEATER RECEPTACLE MOUNTED UNDER LH DOOR		
132-004	ELECTRIC GRID AIR INTAKE WARMER		
155-058	DELCO 12V 38MT HD STARTER WITH INTEGRATED MAGNETIC SWITCH	-10	
Transmission			
342-582	ALLISON 3000 RDS AUTOMATIC TRANSMISSION WITH PTO PROVISION		
Transmission Equipment			
343-312	ALLISON VOCATIONAL PACKAGE 142 - AVAILABLE ON 3000/4000 PRODUCT FAMILIES WITH VOCATIONAL MODEL RDS		
84B-013	ALLISON VOCATIONAL RATING FOR REFUSE APPLICATIONS AVAILABLE WITH ALL PRODUCT FAMILIES		
84C-023	PRIMARY MODE GEARS, LOWEST GEAR 1, START GEAR 1, HIGHEST GEAR 6, AVAILABLE FOR 3000/4000 PRODUCT FAMILIES ONLY		
84D-023	SECONDARY MODE GEARS, LOWEST GEAR 1, START GEAR 1, HIGHEST GEAR 6, AVAILABLE FOR 3000/4000 PRODUCT FAMILIES ONLY		
84E-000	PRIMARY SHIFT SCHEDULE RECOMMENDED BY DTNA AND ALLISON, THIS DEFINED BY ENGINE AND VOCATIONAL USAGE		
84F-000	SECONDARY SHIFT SCHEDULE RECOMMENDED BY DTNA AND ALLISON, THIS DEFINED BY ENGINE AND VOCATIONAL USAGE		
84G-000	PRIMARY SHIFT SPEED RECOMMENDED BY DTNA AND ALLISON, THIS DEFINED BY ENGINE AND VOCATIONAL USAGE		



Prepared for:
 Rodney Womack
 City of Marietta
 101 West Main Street
 Marietta, OK 73448
 Phone: 405-760-8111

Prepared by:
 Jane Kirton
 THE AROUND THE CLOCK
 FREIGHTLINER GROUP, LLC
 5301 I-40 WEST
 OKLAHOMA CITY, OK 73128
 Phone: 405-945-3577

Data Code	Description	Weight Front	Weight Rear
84H-000	SECONDARY SHIFT SPEED RECOMMENDED BY DTNA AND ALLISON, THIS DEFINED BY ENGINE AND VOCATIONAL USAGE		
84L-000	LOAD BASED SHIFT SCHEDULE AND VEHICLE ACCELERATION CONTROL RECOMMENDED BY DTNA AND ALLISON, THIS DEFINED VOCATIONAL USAGE		
84U-000	DRIVER SWITCH INPUT - DEFAULT - NO SWITCHES		
353-027	VEHICLE INTERFACE WIRING CONNECTOR WITH PDM AND NO BLUNT CUTS, AT END OF FRAME		
34C-001	ELECTRONIC TRANSMISSION CUSTOMER ACCESS CONNECTOR FIREWALL MOUNTED		
362-1Y2	(2) CUSTOMER INSTALLED MUNCIE CS10 SERIES PTO'S		
363-011	PTO MOUNTING, LH AND RH SIDES OF MAIN TRANSMISSION		
341-018	MAGNETIC PLUGS, ENGINE DRAIN, TRANSMISSION DRAIN, AXLE(S) FILL AND DRAIN		
345-003	PUSH BUTTON ELECTRONIC SHIFT CONTROL, DASH MOUNTED		
97G-004	TRANSMISSION PROGNOSTICS - ENABLED 2013		
370-015	WATER TO OIL TRANSMISSION COOLER, IN RADIATOR END TANK	-15	
346-003	TRANSMISSION OIL CHECK AND FILL WITH ELECTRONIC OIL LEVEL CHECK		
35T-001	SYNTHETIC TRANSMISSION FLUID (TES-295 COMPLIANT)		
Front Axle and Equipment			
400-1A9	DETROIT DA-F-16.0-5 16,000# FL1 71.0 KPI/3.74 DROP SINGLE FRONT AXLE	190	
402-013	MERITOR 16.5X6 Q+ CAST SPIDER HEAVY DUTY CAM FRONT BRAKES, DOUBLE ANCHOR, FABRICATED SHOES		
403-002	NON-ASBESTOS FRONT BRAKE LINING		
419-023	CONMET CAST IRON FRONT BRAKE DRUMS		
427-001	FRONT BRAKE DUST SHIELDS	5	
409-006	FRONT OIL SEALS		
408-001	VENTED FRONT HUB CAPS WITH WINDOW, CENTER AND SIDE PLUGS - OIL		
416-022	STANDARD SPINDLE NUTS FOR ALL AXLES		
405-002	MERITOR AUTOMATIC FRONT SLACK ADJUSTERS		



Prepared for:
 Rodney Womack
 City of Marietta
 101 West Main Street
 Marietta, OK 73448
 Phone: 405-760-8111

Prepared by:
 Jane Kirton
 THE AROUND THE CLOCK
 FREIGHTLINER GROUP, LLC
 5301 I-40 WEST
 OKLAHOMA CITY, OK 73128
 Phone: 405-945-3577

Data Code	Description	Weight Front	Weight Rear
406-001	STANDARD KING PIN BUSHINGS		
536-012	TRW TAS-85 POWER STEERING	40	
539-003	POWER STEERING PUMP		
534-003	4 QUART POWER STEERING RESERVOIR	5	
533-001	OIL/AIR POWER STEERING COOLER	5	
40T-001	ORGANIC SAE 80/90 FRONT AXLE LUBE		
Front Suspension			
620-004	16,000# FLAT LEAF FRONT SUSPENSION ✓	260	
619-004	GRAPHITE BRONZE BUSHINGS WITH SEALS - FRONT SUSPENSION		
410-998	NO FRONT SHOCK ABSORBERS	-30	
Rear Axle and Equipment			
420-1K4	MT-40-14XP 40,000# R-SERIES TANDEM REAR AXLE ✓		-30
421-614	6.14 REAR AXLE RATIO		
424-003	IRON REAR AXLE CARRIER WITH OPTIONAL HEAVY DUTY AXLE HOUSING		40
386-076	MXL 17N MERITOR EXTENDED LUBE MAIN DRIVELINE WITH FULL ROUND YOKES	20	20
388-073	MXL 17T MERITOR EXTENDED LUBE INTERAXLE DRIVELINE WITH HALF ROUND YOKES		
878-019	(1) INTERAXLE LOCK VALVE FOR TANDEM OR TRIDEM DRIVE AXLES		
87A-001	BLINKING LAMP WITH EACH INTERAXLE LOCK SWITCH, INTERAXLE UNLOCK DEFAULT WITH IGNITION OFF		
423-020	MERITOR 16.5X7 Q+ CAST SPIDER CAM REAR BRAKES, DOUBLE ANCHOR, FABRICATED SHOES		
433-002	NON-ASBESTOS REAR BRAKE LINING		
434-003	STANDARD BRAKE CHAMBER LOCATION		
451-023	CONMET CAST IRON REAR BRAKE DRUMS		
425-002	REAR BRAKE DUST SHIELDS		10
440-006	REAR OIL SEALS		
426-1B3	BENDIX EVERSURE LONGSTROKE 2-DRIVE AXLES SPRING PARKING CHAMBERS		
428-003	HALDEX AUTOMATIC REAR SLACK ADJUSTERS		
41T-001	ORGANIC SAE 80/90 REAR AXLE LUBE		
42T-001	STANDARD REAR AXLE BREATHER(S)		
Rear Suspension			



Prepared for:
 Rodney Womack
 City of Marietta
 101 West Main Street
 Marietta, OK 73448
 Phone: 405-760-8111

Prepared by:
 Jane Kirton
 THE AROUND THE CLOCK
 FREIGHTLINER GROUP, LLC
 5301 I-40 WEST
 OKLAHOMA CITY, OK 73128
 Phone: 405-945-3577

Data Code	Description	Weight Front	Weight Rear
622-1E8	HENDRICKSON HAULMAAX @40,000# REAR SUSPENSION		290
621-1AP	HENDRICKSON HAULMAAX/ULTIMAAX - 10.50" RIDE HEIGHT		
624-009	54 INCH AXLE SPACING		
628-010	HENDRICKSON HN, HAULMAAX AND ULTIMAAX SERIES STEEL BEAMS WITH BAR PIN		
623-006	FORE/AFT AND TRANSVERSE CONTROL RODS		
Brake System			
490-100	WABCO 4S/4M ABS WITHOUT TRACTION CONTROL		
871-001	REINFORCED NYLON, FABRIC BRAID AND WIRE BRAID CHASSIS AIR LINES		
904-001	FIBER BRAID PARKING BRAKE HOSE		
412-001	STANDARD BRAKE SYSTEM VALVES		
46D-002	STANDARD AIR SYSTEM PRESSURE PROTECTION SYSTEM		
413-002	STD U.S. FRONT BRAKE VALVE		
432-003	RELAY VALVE WITH 5-8 PSI CRACK PRESSURE, NO REAR PROPORTIONING VALVE		
480-083	WABCO SS-1200 PLUS AIR DRYER WITH INTEGRAL AIR GOVERNOR AND HEATER		
479-015	AIR DRYER FRAME MOUNTED		
460-058	STEEL AIR TANKS MOUNTED AFT INSIDE AND/OR BELOW FRAME JUST FORWARD OF REAR SUSPENSION		
477-001	PULL CABLE ON WET TANK, PETCOCK DRAIN VALVES ON ALL OTHER AIR TANKS		
Trailer Connections			
335-004	UPGRADED CHASSIS MULTIPLEXING UNIT		
Wheelbase & Frame			
545-560	5600MM (220 INCH) WHEELBASE		
546-101	11/32X3-1/2X10-15/16 INCH STEEL FRAME (8.73MMX277.8MM/0.344X10.94 INCH) 120KSI	160	50
547-001	1/4 INCH (6.35MM) C-CHANNEL INNER FRAME REINFORCEMENT	200	390
552-014	1900MM (75 INCH) REAR FRAME OVERHANG		
55W-007	FRAME OVERHANG RANGE: 71 INCH TO 80 INCH	-30	120
AC8-99D	CALC'D BACK OF CAB TO REAR SUSP C/L (CA) : 154.45 in		



Prepared for:
 Rodney Womack
 City of Marietta
 101 West Main Street
 Marietta, OK 73448
 Phone: 405-760-8111

Prepared by:
 Jane Kirton
 THE AROUND THE CLOCK
 FREIGHTLINER GROUP, LLC
 5301 I-40 WEST
 OKLAHOMA CITY, OK 73128
 Phone: 405-945-3577

Data Code	Description	Weight Front	Weight Rear
AE8-99D	CALCULATED EFFECTIVE BACK OF CAB TO REAR SUSPENSION C/L (CA) : 151.45 in		
AE4-99D	CALC'D FRAME LENGTH - OVERALL : 325.12		
AM6-99D	CALC'D SPACE AVAILABLE FOR DECKPLATE : 154.45 in		
FSS-0LH	CALCULATED FRAME SPACE LH SIDE : 107.55 in		
FSS-0RH	CALCULATED FRAME SPACE RH SIDE : 107.42 in		
553-001	SQUARE END OF FRAME		
550-001	FRONT CLOSING CROSSMEMBER		
559-001	STANDARD WEIGHT ENGINE CROSSMEMBER		
562-001	STANDARD MIDSHIP #1 CROSSMEMBER(S)		
572-001	STANDARD REAR MOST CROSSMEMBER		
565-001	STANDARD SUSPENSION CROSSMEMBER		
Chassis Equipment			
556-1E5	14 INCH PAINTED STEEL BUMPER	20	
574-001	BUMPER MOUNTING FOR SINGLE LICENSE PLATE		
551-007	GRADE 8 THREADED HEX HEADED FRAME FASTENERS		
489-998	NO TIRE PRESSURE CONTROL/SENSOR		
Fuel Tanks			
204-034	80 GALLON/302 LITER RECTANGULAR ALUMINUM FUEL TANK - LH	25	
N 218-001	23 INCH DIAMETER FUEL TANK(S)		
215-005	PLAIN ALUMINUM/PAINTED STEEL FUEL/HYDRAULIC TANK(S) WITH PAINTED BANDS		
212-007	FUEL TANK(S) FORWARD		
664-001	PLAIN STEP FINISH		
205-001	FUEL TANK CAP(S)		
122-1H3	DETROIT FUEL/WATER SEPARATOR WITH WATER IN FUEL SENSOR	10	
216-020	EQUIFLO INBOARD FUEL SYSTEM		
202-016	HIGH TEMPERATURE REINFORCED NYLON FUEL LINE		
Tires			
093-2CC	MICHELIN XZU-S2 315/80R22.5 20 PLY RADIAL FRONT TIRES	100	
094-1UY	MICHELIN X MULTI D 11R22.5 16 PLY RADIAL REAR TIRES (NORTH AMERICAN ONLY)		120



Prepared for:
 Rodney Womack
 City of Marietta
 101 West Main Street
 Marietta, OK 73448
 Phone: 405-760-8111

Prepared by:
 Jane Kirton
 THE AROUND THE CLOCK
 FREIGHTLINER GROUP, LLC
 5301 I-40 WEST
 OKLAHOMA CITY, OK 73128
 Phone: 405-945-3577

Data Code	Description	Weight Front	Weight Rear
Hubs			
418-060	CONMET PRESET PLUS PREMIUM IRON FRONT HUBS		
450-060	CONMET PRESET PLUS PREMIUM IRON REAR HUBS		
Wheels			
502-579	MAXION WHEELS 10041 22.5X9.00 10-HUB PILOT 5.25 INSET 5-HAND STEEL DISC FRONT WHEELS	66	
505-524	MAXION WHEELS 90541 22.5X8.25 10-HUB PILOT 2-HAND STEEL DISC REAR WHEELS		
50W-998	NO RIM/WHEEL TIRE PRESSURE SENSOR		
Cab Exterior			
829-1A2	114 INCH BBC FLAT ROOF ALUMINUM CONVENTIONAL CAB		
650-008	AIR CAB MOUNTING		
648-002	NONREMOVABLE BUGSCREEN MOUNTED BEHIND GRILLE		
667-004	FRONT FENDERS SET-BACK AXLE		
678-001	LH AND RH GRAB HANDLES		
646-041	STATIONARY BLACK GRILLE		
65X-004	BLACK HOOD MOUNTED AIR INTAKE GRILLE		
644-004	FIBERGLASS HOOD		
727-1AH	SINGLE 14 INCH ROUND POLISHED AIR HORN ROOF MOUNTED		
726-002	DUAL ELECTRIC HORNS		
728-001	SINGLE HORN SHIELD		
657-1CV	DOOR LOCKS AND IGNITION SWITCH KEYED THE SAME WITH (4) KEYS		
575-001	REAR LICENSE PLATE MOUNT END OF FRAME		
312-068	HALOGEN COMPOSITE HEADLAMPS WITH BLACK BEZELS		
302-047	LED AERODYNAMIC MARKER LIGHTS		
311-012	DAYTIME RUNNING LIGHTS - LOW BEAM ONLY		
294-046	OMIT STOP/TAIL/BACKUP LIGHTS AND PROVIDE WIRING WITH SEPARATE STOP/TURN WIRES TO 4 FEET BEYOND END OF FRAME		-5
300-015	STANDARD FRONT TURN SIGNAL LAMPS		
744-1BC	DUAL WEST COAST BRIGHT FINISH HEATED MIRRORS WITH LH AND RH REMOTE		
797-001	DOOR MOUNTED MIRRORS		
796-001	102 INCH EQUIPMENT WIDTH		



Prepared for:
 Rodney Womack
 City of Marietta
 101 West Main Street
 Marietta, OK 73448
 Phone: 405-760-8111

Prepared by:
 Jane Kirton
 THE AROUND THE CLOCK
 FREIGHTLINER GROUP, LLC
 5301 I-40 WEST
 OKLAHOMA CITY, OK 73128
 Phone: 405-945-3577

Data Code	Description	Weight Front	Weight Rear
743-204	LH AND RH 8 INCH BRIGHT FINISH CONVEX MIRRORS MOUNTED UNDER PRIMARY MIRRORS		
74B-079	RH 8 INCH STAINLESS STEEL FENDER MOUNTED CONVEX MIRROR WITH TRIPOD BRACKETS	4	
729-001	STANDARD SIDE/REAR REFLECTORS		
677-998	NO CAB MOUNTED STEPS		
768-043	63X14 INCH TINTED REAR WINDOW		
661-004	TINTED DOOR GLASS LH AND RH WITH TINTED OPERATING WING WINDOWS		
654-003	MANUAL DOOR WINDOW REGULATORS		
663-013	TINTED WINDSHIELD		
659-019	2 GALLON WINDSHIELD WASHER RESERVOIR WITHOUT FLUID LEVEL INDICATOR, FRAME MOUNTED		

Cab Interior

707-1AK	OPAL GRAY VINYL INTERIOR		
706-013	MOLDED PLASTIC DOOR PANEL		
708-013	MOLDED PLASTIC DOOR PANEL		
772-006	BLACK MATS WITH SINGLE INSULATION		
785-004	DASH MOUNTED ASH TRAY(S) WITHOUT LIGHTER		
691-008	FORWARD ROOF MOUNTED CONSOLE WITH UPPER STORAGE COMPARTMENTS WITHOUT NETTING		
694-010	IN DASH STORAGE BIN		
742-007	(2) CUP HOLDERS LH AND RH DASH		
680-006	GRAY/CHARCOAL FLAT DASH		
860-004	SMART SWITCH EXPANSION MODULE		
720-004	10 LB. FIRE EXTINGUISHER WITH MOUNTING BRACKET	20	
714-001	FIRST AID KIT	2	
700-002	HEATER, DEFROSTER AND AIR CONDITIONER		
701-001	STANDARD HVAC DUCTING		
703-005	MAIN HVAC CONTROLS WITH RECIRCULATION SWITCH		
170-015	STANDARD HEATER PLUMBING		
130-033	DENSO HEAVY DUTY AIR CONDITIONER COMPRESSOR		
702-002	BINARY CONTROL, R-134A		
739-033	STANDARD INSULATION		



Prepared for:
 Rodney Womack
 City of Marietta
 101 West Main Street
 Marietta, OK 73448
 Phone: 405-760-8111

Prepared by:
 Jane Kirton
 THE AROUND THE CLOCK
 FREIGHTLINER GROUP, LLC
 5301 I-40 WEST
 OKLAHOMA CITY, OK 73128
 Phone: 405-945-3577

Data Code	Description	Weight Front	Weight Rear
285-013	SOLID-STATE CIRCUIT PROTECTION AND FUSES		
280-007	12V NEGATIVE GROUND ELECTRICAL SYSTEM		
324-011	DOMED DOOR ACTIVATED LH AND RH, DUAL READING LIGHTS, FORWARD CAB ROOF		
655-001	CAB DOOR LATCHES WITH MANUAL DOOR LOCKS		
284-023	(1) 12 VOLT POWER SUPPLY IN DASH		
756-1J3	BASIC HIGH BACK AIR SUSPENSION DRIVER SEAT WITH MECHANICAL LUMBAR AND INTEGRATED CUSHION EXTENSION	30	
760-1J3	BASIC HIGH BACK AIR SUSPENSION PASSENGER SEAT WITH MECHANICAL LUMBAR AND INTEGRATED CUSHION EXTENSION	25	10
711-004	LH AND RH INTEGRAL DOOR PANEL ARMRESTS		
758-036	VINYL WITH VINYL INSERT DRIVER SEAT		
761-036	VINYL WITH VINYL INSERT PASSENGER SEAT		
763-101	BLACK SEAT BELTS		
532-027	DUAL DRIVE ADJUSTABLE TILT AND TELESCOPING		
540-015	4-SPOKE 18 INCH (450MM) STEERING WHEEL		
765-002	DRIVER AND PASSENGER INTERIOR SUN VISORS		

Instruments & Controls

732-004	GRAY DRIVER INSTRUMENT PANEL		
734-004	GRAY CENTER INSTRUMENT PANEL		
87L-001	ENGINE REMOTE INTERFACE WITH PARK BRAKE INTERLOCK		
870-001	BLACK GAUGE BEZELS		
486-001	LOW AIR PRESSURE INDICATOR LIGHT AND AUDIBLE ALARM		
840-002	2 INCH PRIMARY AND SECONDARY AIR PRESSURE GAUGES		
198-025	INTAKE MOUNTED AIR RESTRICTION INDICATOR WITHOUT GRADUATIONS		
721-001	97 DB BACKUP ALARM		3
149-013	ELECTRONIC CRUISE CONTROL WITH SWITCHES IN LH SWITCH PANEL		
156-007	KEY OPERATED IGNITION SWITCH AND INTEGRAL START POSITION; 4 POSITION OFF/RUN/START/ACCESSORY		
811-042	ICU3S, 132X48 DISPLAY WITH DIAGNOSTICS, 28 LED WARNING LAMPS AND DATA LINKED		



Prepared for:
 Rodney Womack
 City of Marietta
 101 West Main Street
 Marietta, OK 73448
 Phone: 405-760-8111

Prepared by:
 Jane Kirton
 THE AROUND THE CLOCK
 FREIGHTLINER GROUP, LLC
 5301 I-40 WEST
 OKLAHOMA CITY, OK 73128
 Phone: 405-945-3577

Data Code	Description	Weight Front	Weight Rear
160-038	HEAVY DUTY ONBOARD DIAGNOSTICS INTERFACE CONNECTOR LOCATED BELOW LH DASH		
844-001	2 INCH ELECTRIC FUEL GAUGE		
148-070	ENGINE REMOTE INTERFACE WITH PRESET FAST IDLE		
163-004	ENGINE REMOTE INTERFACE CONNECTOR IN ENGINE COMPARTMENT		
856-001	ELECTRICAL ENGINE COOLANT TEMPERATURE GAUGE		
864-001	2 INCH TRANSMISSION OIL TEMPERATURE GAUGE		
830-017	ENGINE AND TRIP HOUR METERS INTEGRAL WITHIN DRIVER DISPLAY		
372-051	CUSTOMER FURNISHED AND INSTALLED PTO CONTROLS		
852-002	ELECTRIC ENGINE OIL PRESSURE GAUGE		
679-001	OVERHEAD INSTRUMENT PANEL		
746-115	AM/FM/WB WORLD TUNER RADIO WITH BLUETOOTH AND USB AND AUXILIARY INPUTS, J1939	10	
747-001	DASH MOUNTED RADIO		
750-002	(2) RADIO SPEAKERS IN CAB		
753-001	AM/FM ANTENNA MOUNTED ON FORWARD LH ROOF	2	
748-006	POWER AND GROUND WIRING PROVISION OVERHEAD		
749-001	ROOF/OVERHEAD CONSOLE CB RADIO PROVISION		
810-027	ELECTRONIC MPH SPEEDOMETER WITH SECONDARY KPH SCALE, WITHOUT ODOMETER		
817-001	STANDARD VEHICLE SPEED SENSOR		
812-001	ELECTRONIC 3000 RPM TACHOMETER		
813-998	NO VEHICLE PERFORMANCE MONITOR	-5	
8D1-998	NO DETROIT CONNECT SERVICES SELECTED		
8Z1-998	NO ZONAR SERVICES SELECTED		
162-002	IGNITION SWITCH CONTROLLED ENGINE STOP		
836-015	DIGITAL VOLTAGE DISPLAY INTEGRAL WITH DRIVER DISPLAY		
660-008	SINGLE ELECTRIC WINDSHIELD WIPER MOTOR WITH DELAY		



Prepared for:
 Rodney Womack
 City of Marietta
 101 West Main Street
 Marietta, OK 73448
 Phone: 405-760-8111

Prepared by:
 Jane Kirton
 THE AROUND THE CLOCK
 FREIGHTLINER GROUP, LLC
 5301 I-40 WEST
 OKLAHOMA CITY, OK 73128
 Phone: 405-945-3577

Data Code	Description	Weight Front	Weight Rear
304-003	MARKER LIGHT/HEADLIGHT SWITCH WITH SEPARATE INTERRUPTER FOR CLEARANCE LIGHTS		
882-009	ONE VALVE PARKING BRAKE SYSTEM WITH WARNING INDICATOR		
299-013	SELF CANCELING TURN SIGNAL SWITCH WITH DIMMER, WASHER/WIPER AND HAZARD IN HANDLE		
298-039	INTEGRAL ELECTRONIC TURN SIGNAL FLASHER WITH HAZARD LAMPS OVERRIDING STOP LAMPS		

Design

065-000 PAINT: ONE SOLID COLOR

Color

980-5F6 CAB COLOR A: L0006EB WHITE ELITE BC
 986-020 BLACK, HIGH SOLIDS POLYURETHANE CHASSIS PAINT
 98K-998 NO FUEL TANK CABINET PAINT
 962-972 POWDER WHITE (N0006EA) FRONT WHEELS/RIMS (PKWHT21, TKWHT21, W, TW)
 966-972 POWDER WHITE (N0006EA) REAR WHEELS/RIMS (PKWHT21, TKWHT21, W, TW)
 964-020 STANDARD BLACK BUMPER PAINT
 963-003 STANDARD E COAT/UNDERCOATING

Certification / Compliance

996-001 U.S. FMVSS CERTIFICATION, EXCEPT SALES CABS AND GLIDER KITS

Secondary Factory Options

998-001 CORPORATE PDI CENTER IN-SERVICE ONLY
 * 99B-012 SHIP TO THIRD PARTY (CHARLOTTE, NC) PRIOR TO DELIVERY
 82N-998 NO SHIPPING PROTECTION

Sales Programs

RZ1-998 NO ZONAR SERVICE SELECTED

TOTAL VEHICLE SUMMARY

Weight Summary

Weight	Weight	Total
--------	--------	-------



Prepared for:
Rodney Womack
City of Marietta
101 West Main Street
Marietta, OK 73448
Phone: 405-760-8111

Prepared by:
Jane Kirton
THE AROUND THE CLOCK
FREIGHTLINER GROUP, LLC
5301 I-40 WEST
OKLAHOMA CITY, OK 73128
Phone: 405-945-3577

	Front	Rear	Weight
Factory Weight ⁺	8690 lbs	7059 lbs	15749 lbs
<hr/>			
Total Weight ⁺	8690 lbs	7059 lbs	15749 lbs

Extended Warranty
WAG-011 TOWING: 2 YEARS/UNLIMITED MILES/KM EXTENDED TOWING
COVERAGE \$550 CAP FEX APPLIES

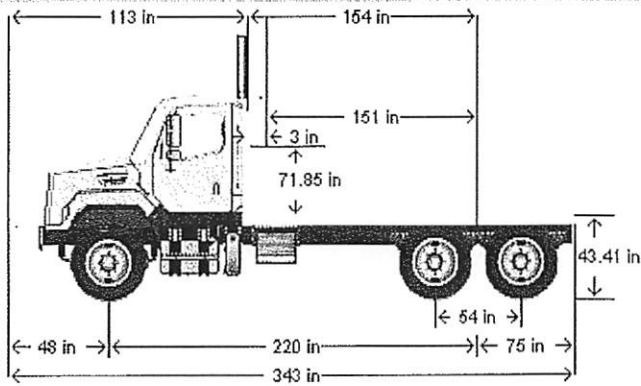
(+) Weights shown are estimates only.
If weight is critical, contact Customer Application Engineering.



Prepared for:
 Rodney Wornack
 City of Marietta
 101 West Main Street
 Marietta, OK 73448
 Phone: 405-760-8111

Prepared by:
 Jane Kirton
 THE AROUND THE CLOCK
 FREIGHTLINER GROUP, LLC
 5301 I-40 WEST
 OKLAHOMA CITY, OK 73128
 Phone: 405-945-3577

D I M E N S I O N S



VEHICLE SPECIFICATIONS SUMMARY - DIMENSIONS

Model.....	114SD
Wheelbase (545)	5600MM (220 INCH) WHEELBASE
Rear Frame Overhang (552)	1900MM (75 INCH) REAR FRAME OVERHANG
Fifth Wheel (578)	NO FIFTH WHEEL
Mounting Location (577).....	NO FIFTH WHEEL LOCATION
Maximum Forward Position (in)	0
Maximum Rearward Position (in)	0
Amount of Slide Travel (in).....	0
Slide Increment (in).....	0
Desired Slide Position (in)	0.0
Cab Size (829).....	114 INCH BBC FLAT ROOF ALUMINUM CONVENTIONAL CAB
Sleeper (682).....	NO SLEEPER BOX/SLEEPER CAB
Exhaust System (016).....	RH OUTBOARD UNDER STEP MOUNTED HORIZONTAL AFTERTREATMENT SYSTEM ASSEMBLY WITH RH B-PILLAR MOUNTED VERTICAL TAILPIPE

TABLE SUMMARY - DIMENSIONS



Prepared for:
 Rodney Womack
 City of Marietta
 101 West Main Street
 Marietta, OK 73448
 Phone: 405-760-8111

Prepared by:
 Jane Kirton
 THE AROUND THE CLOCK
 FREIGHTLINER GROUP, LLC
 5301 I-40 WEST
 OKLAHOMA CITY, OK 73128
 Phone: 405-945-3577

Dimensions	Inches
Bumper to Back of Cab (BBC)	113.4
Bumper to Centerline of Front Axle (BA)	47.9
Min. Cab to Body Clearance (CB)	3.0
Back of Cab to Centerline of Rear Axle(s) (CA)	154.4
Effective Back of Cab to Centerline of Rear Axle(s) (Effective CA)	151.4
Back of Cab Protrusions (Exhaust/Intake) (CP)	0.0
Back of Cab Protrusions (Side Extenders/Trim Tab) (CP)	0.0
Back of Cab Protrusions (CNG Tank)	0.0
Back of Cab Clearance (CL)	3.0
Back of Cab to End of Frame	229.4
Cab Height (CH)	71.9
Wheelbase (WB)	220.0
Frame Overhang (OH)	75.0
Overall Length (OAL)	342.9
Rear Axle Spacing	54.0
Uniaden Frame Height at Centerline of Rear Axle	43.4

Performance calculations are estimates only. If performance calculations are critical, please contact Customer Application Engineering.

